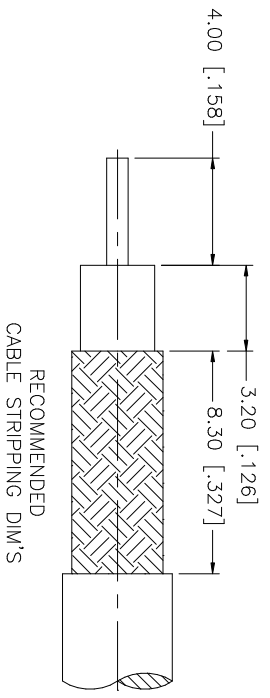
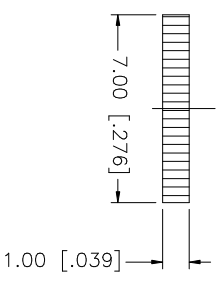
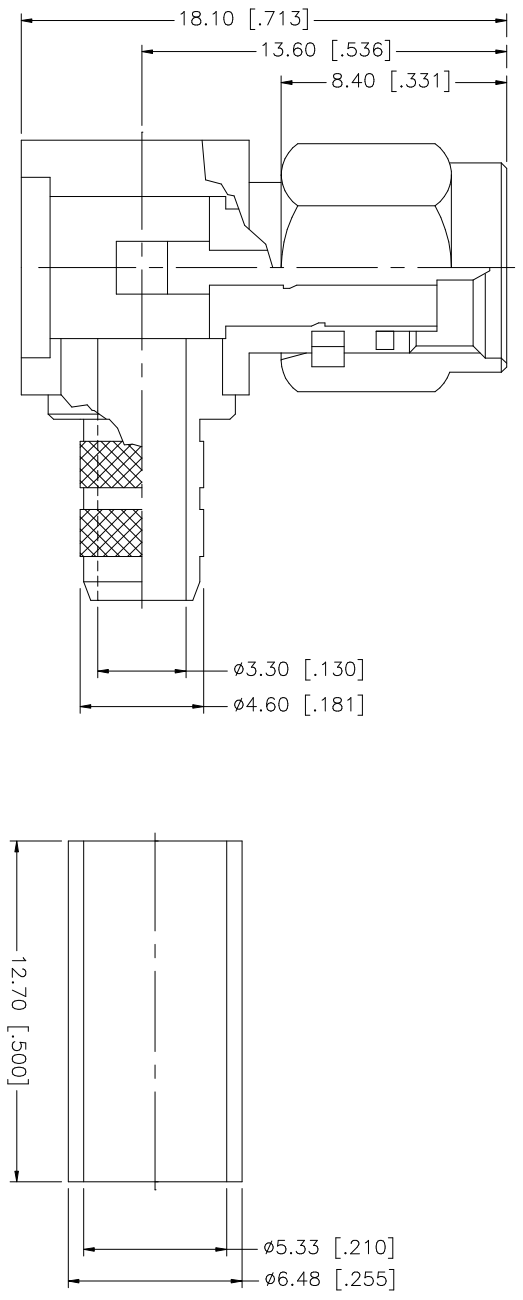


REV.	DATE	DESCRIPTION
NC	08/01/05	INITIAL RELEASE



QTY	FINISH	MATERIAL	DESCRIPTION
1	GOLD	COPPER	FERRULE
1	GOLD	BRASS	COVER
1	GOLD	BER. COPPER	CONTACT PIN
1	NATURAL	TEFLON	INSULATOR
1	GOLD	BRASS	BODY

APPROVALS	DATE
DRAWN G.R.S.	08/01/05
CHECKED	
ISSUED	
SHEET 1 OF 1	

UNLESS OTHERWISE SPECIFIED DIMENSIONS ARE IN MILLIMETERS DIMENSIONS IN [] ARE IN INCHES AND FOR CUSTOMER REFERENCE ONLY.
UNLESS OTHERWISE SPECIFIED TOLERANCES FOR MILLIMETERS ARE: 0.5 - 8mm ± 0.20mm 8 - 30mm ± 0.40mm 30 - 120mm ± 0.50mm
UNLESS OTHERWISE SPECIFIED TOLERANCES FOR INCHES ARE: .020 - .315 = ± 0.007" .315 - 1.180 = ± 0.015" 1.180 - 4.724 = ± 0.020"

DO NOT SCALE DRAWING

CAD FILE	DWG. NO.	REV.	NC	SIZE	SCALE
C:/132/132235RP.DWG	132235RP.DWG	NC		A	NA

PART DESCRIPTION
SMA REVERSE POLARITY R/A CRIMP PLUG - LMR200

Amphenol Connex

PART NO.
132235RP